

FACTORYCAT®

Handmade in U.S.A. - Est 1986

Premium v2 Series Full Line



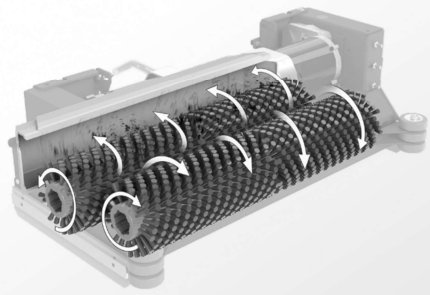
Family-Owned & Operated



Scrubbers

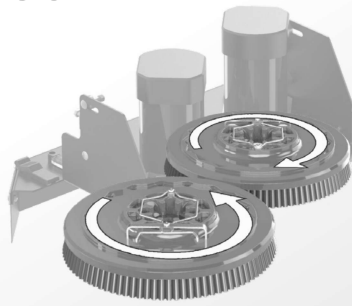
Sweepers

Choose Your Scrub Deck



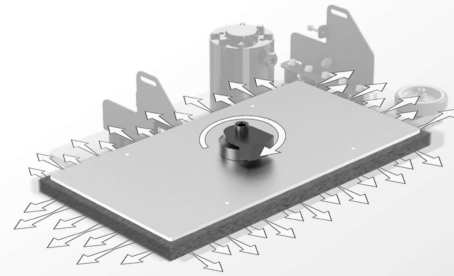
Cylindrical Benefits

- Eliminates Pre-Sweeping
- Scrub & Sweep Simultaneously
- Superior Tile & Grout Cleaning
- Great for Indoor Track Fields



Disk Benefits

- Largest Brush/ Pad Selection
- Lowest Maintenance Cost
- Best Performance on Irregular Floors
- Brushes Individually driven



Orbital Benefits

- Chemical Free Stripping
- Reduce Slip & Fall Potential
- 70% Reduction in Water Usage
- VCT Prep & Recoat

Choose Your Controller - v2 Series Walk Behinds & Riders

Military Grade

(Year 1970 Technology)



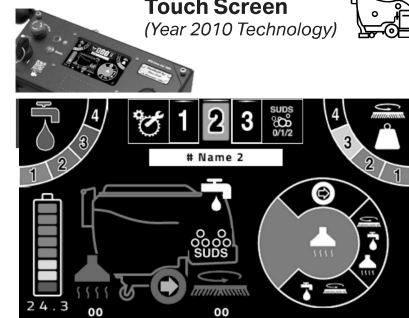
Membrane

(Year 2000 Technology)



Touch Screen

(Year 2010 Technology)



Military Grade

(Year 1970 Technology)



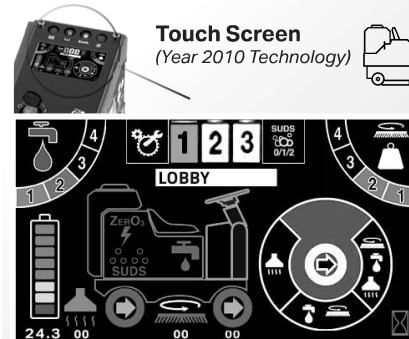
Legacy

(Year 2000 Technology)

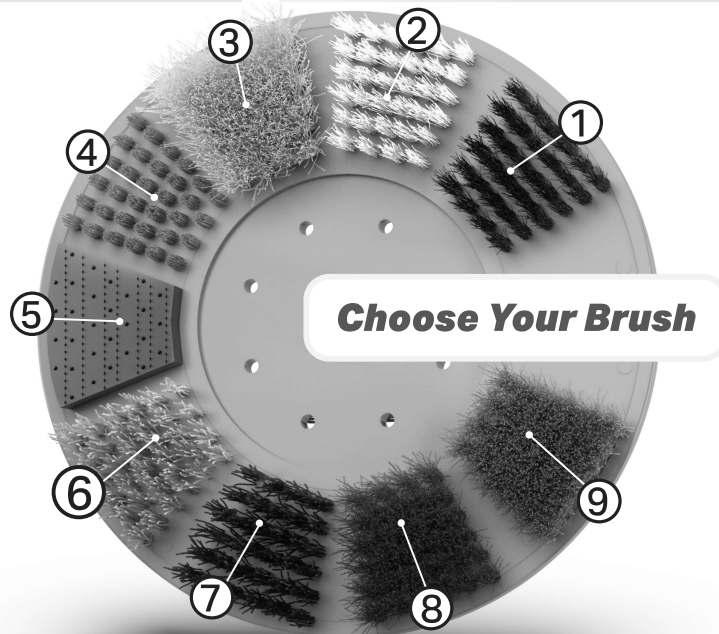


Touch Screen

(Year 2010 Technology)



- ① Polypropylene: Black / Medium - Light
- ② Nylon: White / Light - Soft
- ③ Tampico: Tan / Soft
- ④* Tufted Pad Driver: Red / Variety Pads
- ⑤* Neoprene Pad Driver: Black / Variety Diamond Pucks
- ⑥* Super Grit: Orange / Extreme Rough
- ⑦ Tough Grit: Black / Very Rough
- ⑧ Midi Grit: Blue / Rough
- ⑨ Light Grit: Grey / Medium



Choose Your Brush

*Not offered on Cylindrical Brushes



Patented Bandeau System

- This design was so unique and meaningful it earned a US Patent, and something you won't find elsewhere.
- The black bandeau is vacuumized and holds 1-gallon of foam or dirty water away from the vac motor, backing up the primary filters and balls screens.
- The "unloader" valve automatically drains off any residual water when vac is OFF.
- The yellow muffler box both reduces the noise and also directs any digested water out a tube, to alert the operator to a problem.

Large Clear Lid



Any customer who has previously owned and operated cleaning equipment will appreciate the value of full time viewing of the dirty water recovery tank.

- This provides the operator with a real time view of the dirty water level, foam, debris tray, the vacuum's white dust filter and more.
- The fully accessible recovery tank is easily our most significant feature for cost reduction. Open the lid to clean out the recovery tank, eliminating odors and other contaminants which can become airborne and inhaled by employees.

Easy Access to key components:

- Vac Motor
- Batteries
- Deck Actuator
- Solution Valve
- Filters-Screens
- Soap Drain
- Battery Box Drain
- Unloader Valve
- Vac Switch
- Scrub Motors



Tip Back Tank

Our designers all have 30+ years of experience and recognize cleaning equipment will eventually require service.

- Tanks tip back without tools, providing easy top side access to all important service items.
- Quick access allows the technician to trouble shoot from their feet and make repairs quickly, with less chance of creating unintended problems from disassembling 5 items to get to the 1 that failed.

Choose Your Walk Behind Scrubber



MicroMini



Micro-HD v2 Series

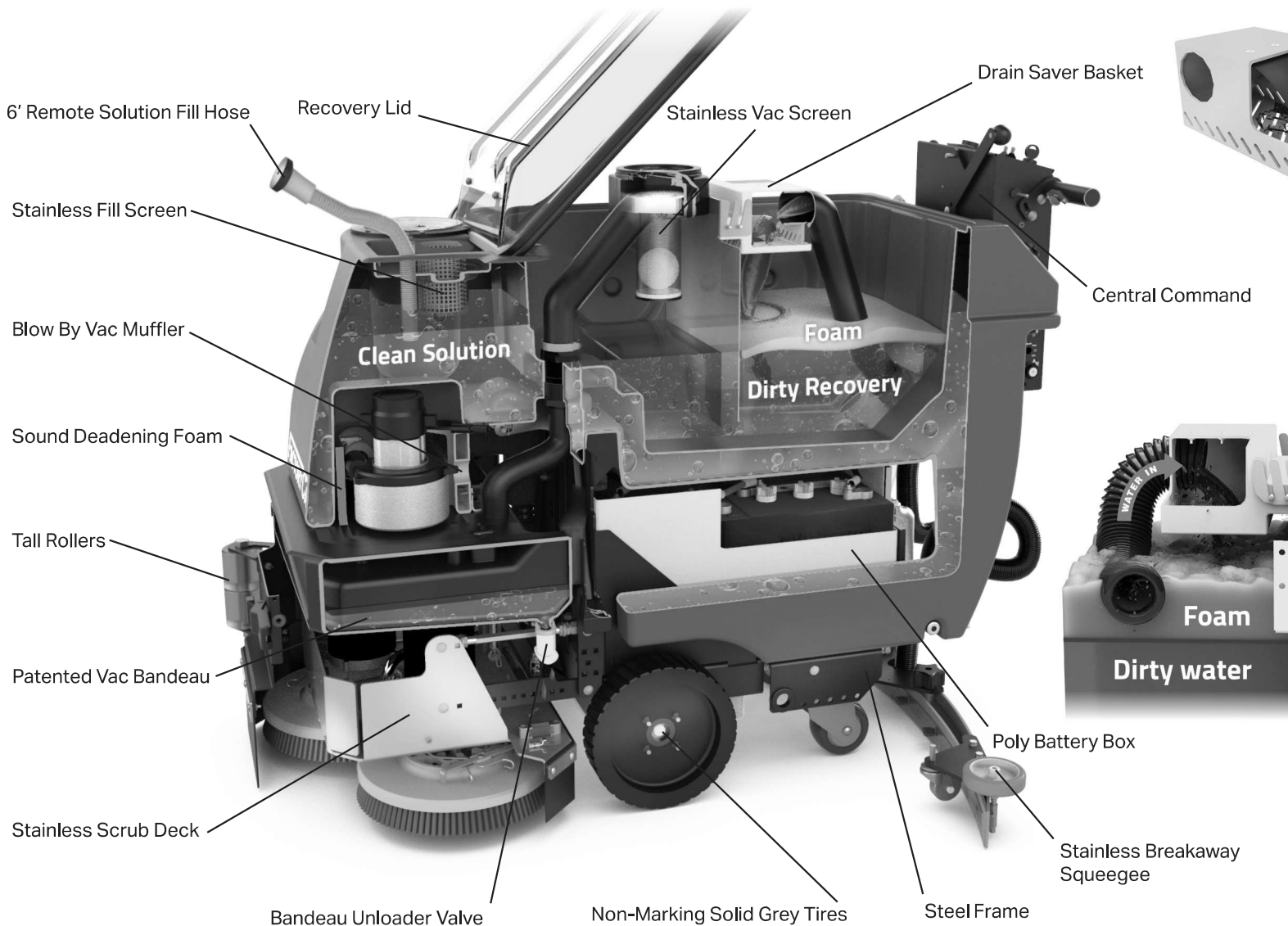


Mini-HD v2 Series



Mag-HD v2 Series

Disk Scrub Path:	17" & 20" (43 & 51 cm)	20", & 26" (51 & 66 cm)	26" & 28" (66 & 71 cm)	30", 32" & 34" (76, 82 & 86 cm)
Cylindrical Path:	N / A	25" (64 cm)	25" & 29" (64 & 74 cm)	29" & 33" (74 & 84 cm)
Orbital Path:	20" & 24" (51 & 61 cm)	20", 24" & 28" (51, 61 & 71 cm)	24" & 28" (61 & 71 cm)	28" & 32" (71 & 81 cm)
Dimensions (L×W×H):	42" × 21" × 39" (107 × 53 × 99 cm)	50" × 23" × 39" (127 × 58 × 99 cm)	56" × 28" × 43" (142 × 71 × 109 cm)	62" × 31" × 43" (157 × 66 × 109 cm)
Solution / Recovery Tank:	10 Gal / 10 Gal (38 / 38 liters)	13 Gal / 15 Gal (49 / 57 liters)	21 Gal / 23 Gal (76 / 87 liters)	35 Gal / 37 Gal (133 / 140 liters)
Run Time:	Up to 3 Hours*	Up to 2.5 Hours*	Up to 3.5 Hours*	Up to 5.0 Hours*
Theoretical Coverage:	Up to 15,748 sqft/hr (1,436 sqm/hr)	Up to 26,000 sqft/hr (2,415 sqm/hr)	Up to 29,029 sqft/hr (2,696 sqm/hr)	Up to 33,932 sqft/hr (3,152 sqm/hr)



Choose Your Rider Scrubber



Pilot v3 Series



GTX v2 Series

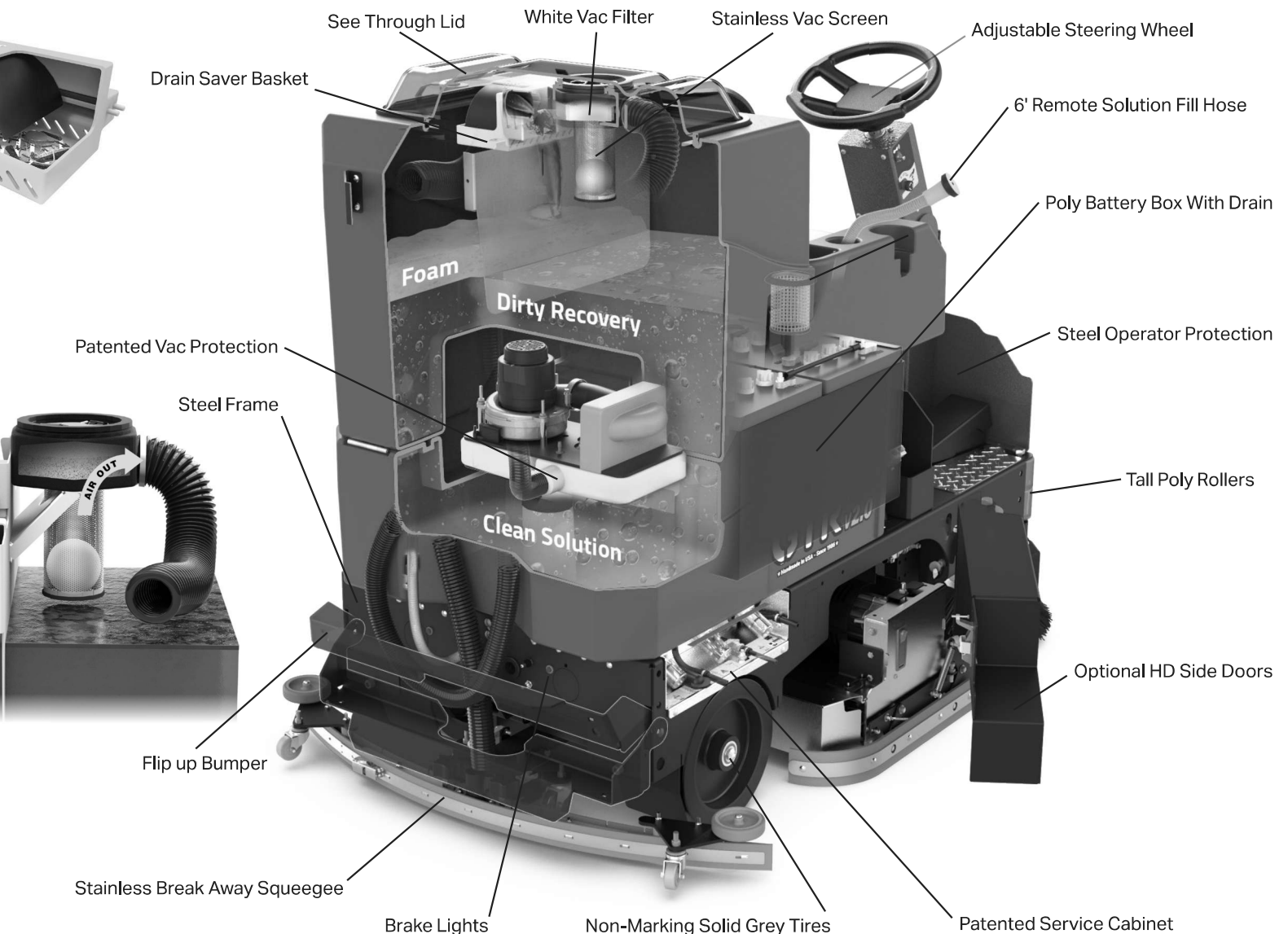


GTR v2 Series



XR v2 Series

Disk Scrub Path:	20" & 26" (51 & 66 cm)	26", 28", 30" & 34" (66, 71, 76 & 86 cm)	30", 34" & 36" (76, 86 & 91 cm)	40" & 45" (102 & 114 cm)
Cylindrical Path:	N / A	25", 29" & 33" (64, 74 & 84 cm)	29", 33" & 37" (74, 84 & 94 cm)	40" & 46" (102 & 112 cm)
Orbital Path:	N / A	28" & 32" (71 & 81 cm)	N / A	N / A
Dimensions (L×W×H):	54" x 27" x 40" (138 x 69 x 102 cm)	66" x 34" x 64" (168 x 86 x 163 cm)	70" x 37" x 57" (158 x 81 x 145 cm)	77" x 43" x 56" (195 x 109 x 142 cm)
Solution / Recovery Tank:	22 Gal / 23 Gal (83 / 87 liters)	33 Gal / 36 Gal (125 / 136 liters)	46 Gal / 49 Gal (174 / 186 liters)	65 Gal / 78 Gal (246 / 295 liters)
Run Time:	Up to 4 Hours*	Up to 5.5 Hours*	Up to 5 Hours*	Up to 5 Hours*
Theoretical Coverage:	Up to 38,500 sqft/hr (3,576 sqm/hr)	Up to 47,000 sqft/hr (4,366 sqm/hr)	Up to 51,000 sqft/hr (4,738 sqm/hr)	Up to 63,000 sqft/hr (5,853 sqm/hr)





Warehouse

Large distribution centers need maximum scrub path, tank capacities and run time, but in a footprint that allows for easy u-turns and cleaning close to racking. Our heavy duty products can withstand the expected collisions and have excellent water control so your stored product is protected. Our rider scrubbers offer superior productivity and durability.



Aviation

These customers appreciate reliability and quality as much as anyone. Our scrubbers collect floor debris and prevent FOD better than others, and the compact size combines productivity with good sight lines for operating close to expensive aircraft. Several aircraft manufacturers and FBO's trust our equipment to clean their assembly plants and service centers.



Automotive

Automotive dealerships and large truck service centers are some of the toughest applications we've run across. Our equipment offers the maneuverability and performance to clean showrooms full of new cars on expensive floors. The same machine can survive use around steel car lifts, concrete edging and metal floor grates.



Food & Beverage

Customers who deal with food & beverage manufacturing, processing and distribution appreciate our fully cleanable recovery tank and performance on the floor. Cleaning the reservoir that contains the dirty water eliminates bad odors and the transfer of various contaminants. Our optional onboard ozone system and remote hand tools takes this to an even higher level.

Choose Your Sweeper

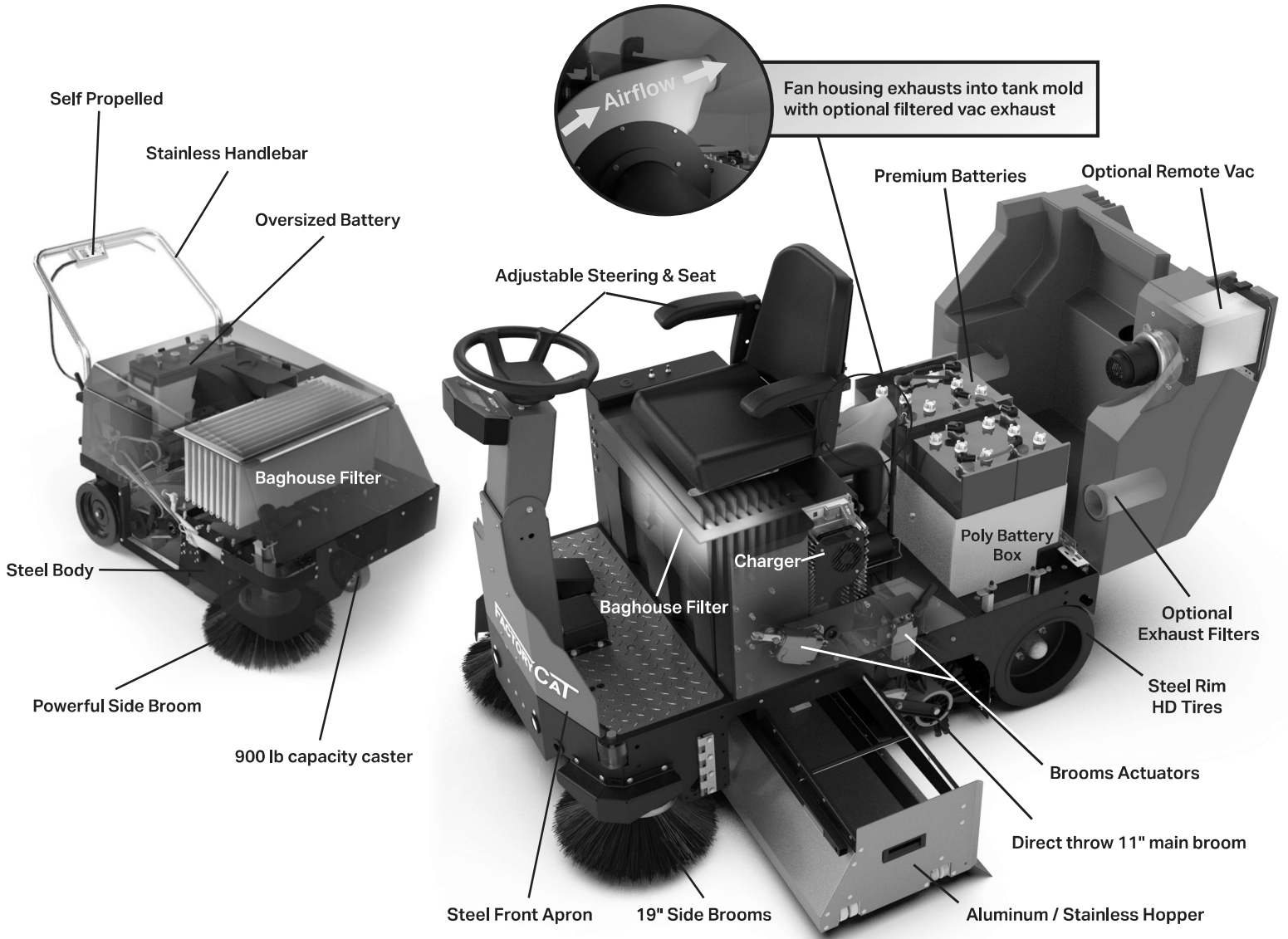


34



TR v2

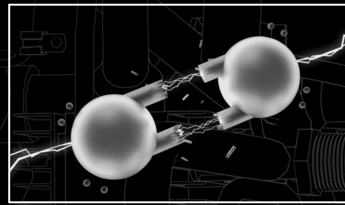
Sweep Path:	34" (86 cm)	48" (121 cm)
Main Broom (Diameter x Length):	10" x 26" (25 x 66 cm)	11" x 32" (26 x 81 cm)
Hopper Capacity:	2 cubic feet (56 liters)	4.2 cubic feet (116 liters)
Dimensions (L×W×H):	58" x 31" x 38" (147.3 x 78.7 x 96.5 cm)	64" x 37" x 50" (163 x 94 x 140 cm)
Run Time:	Up to 4 Hours*	Up to 5 Hours*
Theoretical Coverage:	Up to 21,316 sqft/hr (1,980 sqm/hr)	Up to 75,000 sqft/hr (6,968 sqm/hr)



ZERO³

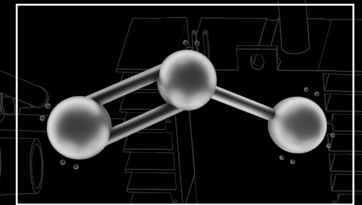
Chemical Free Cleaning Technology

Replace your All-Purpose floor cleaners with one of Earth's powerful oxidizer's - Aqueous Ozone. Easy to utilize in your daily cleaning regimen.



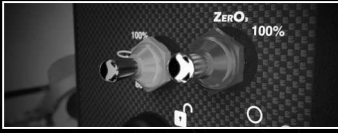
1. Splitting O₂

The ZERO³ AO Generators split Oxygen (O₂) molecules into single radical Oxygen (O₁) atoms via the corona discharge.

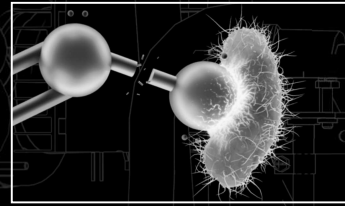


2. O₂ Becomes O₃

The single radical Oxygen (O₁) atoms bond to remaining Oxygen (O₂) molecules, creating Ozone (O₃).

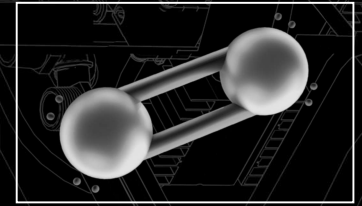


A 3-way toggle controls ZERO³ AO output with dual LED indicators as to what mode is being utilized.



3. O₃ Attacks

The radically bonded Oxygen (O₁) atom will attach to the contaminant and destroy the cell wall, oxidizing the contaminant.



4. O₃ Becomes O₂

Now, only simple Oxygen (O₂) molecules are left, suitable for safe disposal.



ZERO³ AO is operator and facility safe with a triple 0 on the safety diamond.

Our Family's American Dream

RPS has been family owned from it's inception in 1986, and proudly builds in Wisconsin (USA). The company has grown over the last 40-years with a strong group of executives including the 2nd generation of family owners who started in the shop as youngsters.



Assembled By Hand

Our American workforce hand builds each machine with components sourced heavily from American suppliers. We routinely pay more for these domestically supplied components required to build a superior product. All design, prototyping, production and testing is done in-house where we can best control quality.



Authorized Distributor



v25265



Steel Fabrication

We produce heavy duty equipment and require a good amount of thick steel in the construction. We use a combination of Stainless 304 (Austenitic 18/8) and mild steel with e-coating + powder paint for corrosion resistance. Steel fabrication is done in-house or from local suppliers with specialty equipment.



Rotational Molding

Complex shapes that allow for our "tank-in-tank" design are best achieved with in-house equipment. We own multiple dual station rotational molding machines that allow us to produce finished parts from raw plastic. Producing consistently higher quality parts, and respond quickly to sales spikes.



Product Design

Our team has designed and engineered over 100 unique machines. Each new generation of machines evolve from prior designs to retain the strengths and correct any weakness. From the first pencil sketch we focus on durability, serviceability, performance, productivity, specifications, and value.